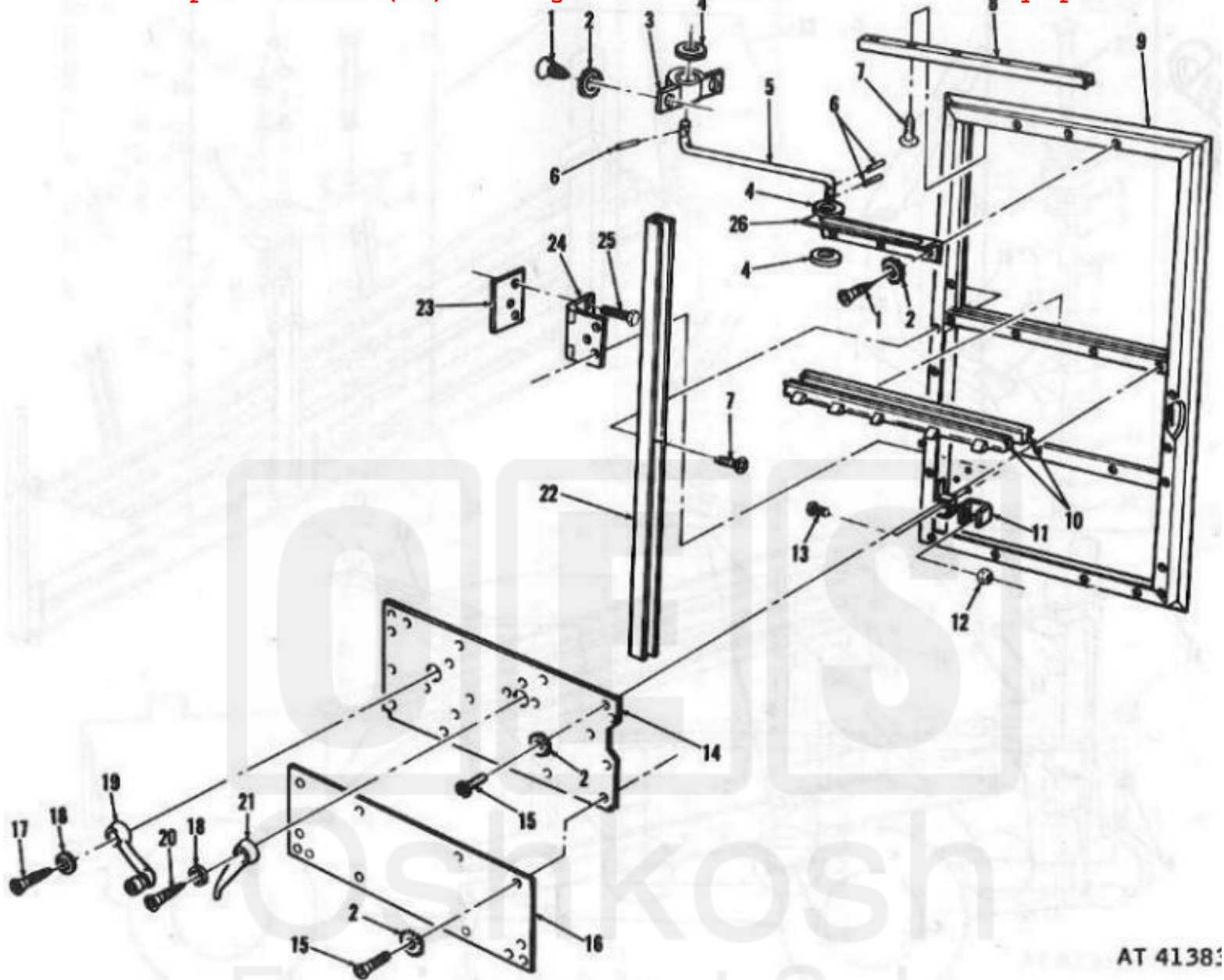


Current part is item (19) on diagram. Available at [www.oshkoshequipment.com](http://www.oshkoshequipment.com)



AT 41381

Figure 117: Drivers and Passengers Door and Related Parts (M725)

(1) SMR code	(2) Federal Stock Number	(3) Description  Reference Number & Mfg. Code Usable on Code	(4) Unit of meas	(5) Qty inc in unit	(6) 30-day DS maint. allowance			(7) 30-day GS maint. allowance			(8) 1-yr alw per 100 equip cntgcy	(9) Depot maint alw per 100 equip	(10) Illustration	
					(a)	(b)	(c)	(a)	(b)	(c)			(a) Figure No.	(b) Item No.
X20		1812 SPECIAL PURPOSE BODY-AMBULANCE Continued DOOR ASSEMBLY, FRONT L. H. 11658044-1 (19207)	EA	1	*	*	*	*	*	*			117	9

Current part is item (19) on diagram. Available at [www.oshkoshequipment.com](http://www.oshkoshequipment.com)

X20		DOOR ASSEMBLY, FRONT, R. H. 11658044-2 (19207)	EA	1	*	*	*	*	*	*			117	9
PO	5330-157-4618	WEATHERSTRIP, LOWER, FRONT DOOR GLASS 11662561(19207)	EA	4	*	*	*	*	*	*			117	10
X20		BRACKET, WINDOW STOP 11658251 (19207)	EA	4	*	*	*	*	*	*			117	11
PO	5310-013-1245	NUT, SELF-LOCKING, STOP BRACKET MS51922-1 (96906)	EA	4	*	*	*	*	*	*			117	12
PO	5305-071-2242	SCREW, CAP, STOP BRACKET MS90725-9 (96906)	EA	4	*	*	*	*	*	*			117	13
X20		PANEL ASSEMBLY, L. H. DOOR 11658591-1 (19207)	EA	1	*	*	*	*	*	*			117	14
X20		PANEL ASSEMBLY, R. H. DOOR 11658591-2 (19207)	EA	1	*	*	*	*	*	*			117	14
PO	5305-855-0964	SCREW, SELF-TAPPING, UPPER AND LOWER PANEL MS24629-48 (96906)	EA	40	*	*	*	*	*	*			117	15
X20		PANEL, DOOR, LOWER 11658635 (19207)	EA	2	*	*	*	*	*	*			117	16
PO	5305-015-5358	SCREW, MACHINE, WINDOW HANDLE 155358 (24617)	EA	2	*	*	*	*	*	*			117	17
PO	5310-582-5965	WASHER, LOCK, DOOR AND WINDOW HANDLE MS35338-44 (96906)	EA	4	*	*	*	*	*	*			117	18
PO	2540-737-3304	HANDLE, WINDOW 7975607 (19207)	EA	2	*	*	*	*	*	*			117	19
PO	5305-988-1725	SCREW, MACHINE, DOOR HANDLE 155348 (24617)	EA	2	*	*	*	*	*	*			117	20

(1) SMR code	(2) Federal Stock Number	(3) Description  Reference Number & Mfg. Code Usable on Code	(4) Unit of meas	(5) Qty inc in unit	(6) 30-day DS maint. allowance			(7) 30-day GS maint. allowance			(8) 1-yr alw per 100 equip cntgcy	(9) Depot maint alw per 100 equip	(10) Illustration	
					(a) 1-20	(b) 21-50	(c) 51-100	(a) 1-20	(b) 21-50	(c) 51-100			(a) Figure No.	(b) Item No.
		1812 SPECIAL PURPOSE BODY-AMBULANCE Continued												
PO	2540-797-5609	HANDLE, FRONT DOOR, INSIDE 7075609 (19207)	EA	2	*	*	*	*	*	*			117	21
X20		CHANNEL, SIDE, FRONT DOOR 11662594-2 (19207)	EA	4	*	*	*	*	*	*			117	22
PO		SPACER, HINGE 11658232 (19207)	EA	V	*	*	*	*	*	*			117	23
PO		HINGE ASSEMBLY, FRONT DOOR 11641038 (19207)	EA	4	*	*	*	*	*	*			117	24
PO	5306-042-5589	SCREW, CAP, HINGE MOUNTING 425589 (24617)	EA	24	*	*	*	*	*	*			117	25

Current part is item (19) on diagram. Available at [www.oshkoshequipment.com](http://www.oshkoshequipment.com)